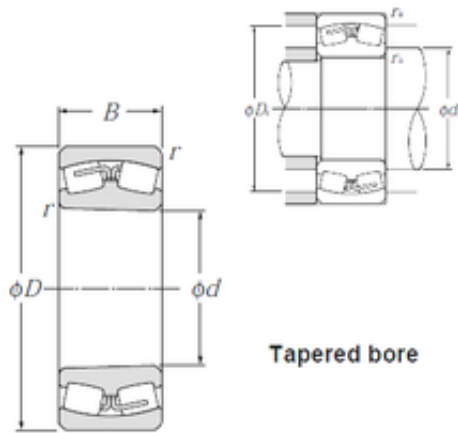


## 710 mm x 1 280 mm x 450 mm NTN 232/710BK Spherical Roller Bearings



Bearing No. 232/710BK

Size	710x1280x450 mm
Bore Diameter	710 mm
Outer Diameter	1280 mm
Width	450 mm
d	710 mm
D	1 280 mm
B	450 mm
C	450 mm
r min.	12 mm
da min.	764 mm
Da max.	1 226 mm
ra max.	10 mm
Weight	2 470 Kg
Basic dynamic load rating (C)	16 300 kN
Basic static load rating (C0)	32 500 kN
(Grease) Lubrication Speed	200 r/min
(Oil) Lubrication Speed	260 r/min
Calculation factor (e)	0,35
Calculation factor (Y0)	1,87
Calculation factor (Y1)	1,91

232/710BK Bearing 2D drawings and 3D CAD models