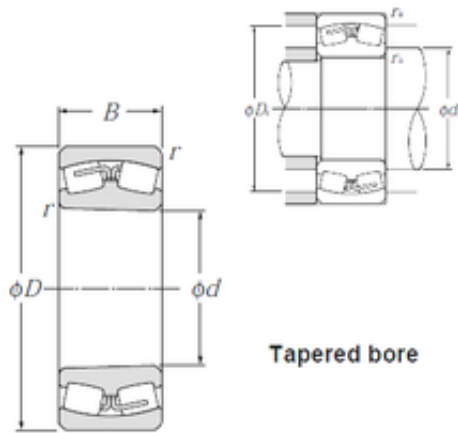


560 mm x 820 mm x 195 mm NTN 230/560BK Spherical Roller Bearings



Bearing No. 230/560BK

230/560BK Bearing 2D drawings and 3D CAD models

Size	560x820x195 mm
Bore Diameter	560 mm
Outer Diameter	820 mm
Width	195 mm
d	560 mm
D	820 mm
B	195 mm
C	195 mm
r min.	6 mm
da min.	588 mm
Da max.	792 mm
ra max.	5 mm
Weight	340 Kg
Basic dynamic load rating (C)	4 800 kN
Basic static load rating (C0)	10 500 kN
(Grease) Lubrication Speed	350 r/min
(Oil) Lubrication Speed	450 r/min
Calculation factor (e)	0,22
Calculation factor (Y0)	2,96
Calculation factor (Y1)	3,03