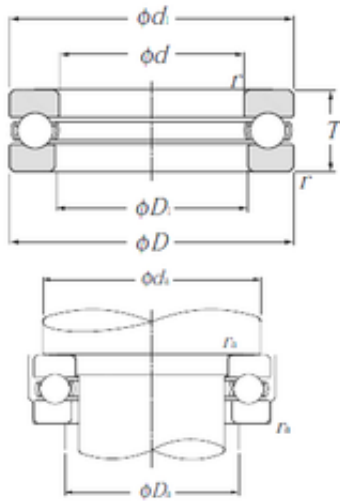




FB Bearing Machine Co., Ltd



NTN 51132 Thrust Bearings

Bearing No. 51132

51132 Bearing 2D drawings and 3D CAD models

Size	160x200x31 mm
Bore Diameter	160 mm
Outer Diameter	200 mm
Width	31 mm
d	160 mm
D	200 mm
T	31 mm
d1	198 mm
r min.	1 mm
D1	162 mm
da min.	184 mm
Da max.	176 mm
ra max.	1 mm
Weight	2,1 Kg
Basic dynamic load rating (C)	112 kN
Basic static load rating (C0)	425 kN
(Grease) Lubrication Speed	1 200 r/min
Category	Thrust Ball Bearing
Inventory	4.0
Manufacturer Name	NTN
Minimum Buy Quantity	N/A
Weight / Kilogram	2.052
Product Group	B00308
Rolling Element	Ball Bearing
Thrust Bearing	Yes
Single or Double Direction	Single Direction



FB Bearing Machine Co., Ltd

Banded	No
Cage Material	Steel
Precision Class	ABEC 1 ISO P0
Component Description	Roller Assembly Plus Raceways
Other Features	Single Row With Flat Seat
Long Description	160MM Bore 1; 162MM Bore 2; 200MM Outside Diameter; 31MM Height; Ball Bearing; Single Direction; Not Banded; Steel Cage; ABEC 1 ISO P0 Precision
Inch - Metric	Metric
Category	Thrust Ball Bearings
UNSPSC	31171552
Harmonized Tariff Code	8482.10.50.08
Noun	Bearing
Keyword String	Ball Thrust
Manufacturer URL	http://www.ntnamerica.com
Manufacturer Item Number	51132
Weight / LBS	4.62971
Outside Diameter	7.874 Inch 200 Millimeter
Height	1.22 Inch 31 Millimeter
Bore 1	6.299 Inch 160 Millimeter
Bore 2	6.378 Inch 162 Millimeter
Overall Height with Aligning Washer	0 Inch 0 Millimeter
bore diameter:	160 mm
dynamic load capacity:	112000 N
outside diameter:	198 mm
operating temperature range:	-40 to 120 ° C
overall width:	31 mm



FB Bearing Machine Co., Ltd

maximum rpm:	1700 rpm
thrust bearing type:	Single-Direction
bearing material:	High Carbon Chrome Steel
outside diameter design:	Straight
cage material:	Steel
separable or banded:	Separable
fillet radius:	1 mm
precision rating:	ISO Class 0
manufacturer product page:	Click here
static load capacity:	425000 N